

## WIRELESS MICROPHONE WM—3000A

TRANSMIT FREQUENCY	322.025MHz~322.150MHz, 322.250MHz~322.400MHz (13 channels at 25kHz intervals)
RADIO WAVE STYLE	30KF3E
OSCILLATION STYLE	Oscillation control PLL synthesizer
MODULATION STYLE	Reactance modulation
TRANSMIT BANDWIDTH	Within 30kHz
FREQUENCY STABILITY	Within $\pm 10$ ppm
TRANSMIT OUTPUT	1mW
ANTENNA	Built-in antenna
MODULATION SENSITIVITY	$\pm 2.25$ kHzFM (94dB SPL at 1kHz)
MAXIMUM FREQUENCY SHIFT	$\pm 8$ kHzFM
MICROPHONE	Unidirectional electret condenser microphone
FREQUENCY RESPONSE	100Hz ~ 7kHz (at 1kHz basis, 50 $\mu$ s emphasis)
MAXIMUM INPUT SPL	120dB SPL
INPUT EQUIVALENT NOISE	36dB SPL or less (A curve)
BATTERY	Dry cell battery R6P(AA size) x1 pce
CURRENT CONSUMPTION	45mA (at normal temperature, 1.5V)
BATTERY LIFE	Approx. 14 hours (at normal temperature)
TEMPERATURE RANGE	0°C~+40°C
FINISH	(ABS resin): Stone silver (Munsell N4.5 approx.)
DIMENSIONS	$\phi 54 \times 230$ (L) mm
MASS	Approx. 180g (with battery)

BUSINESS

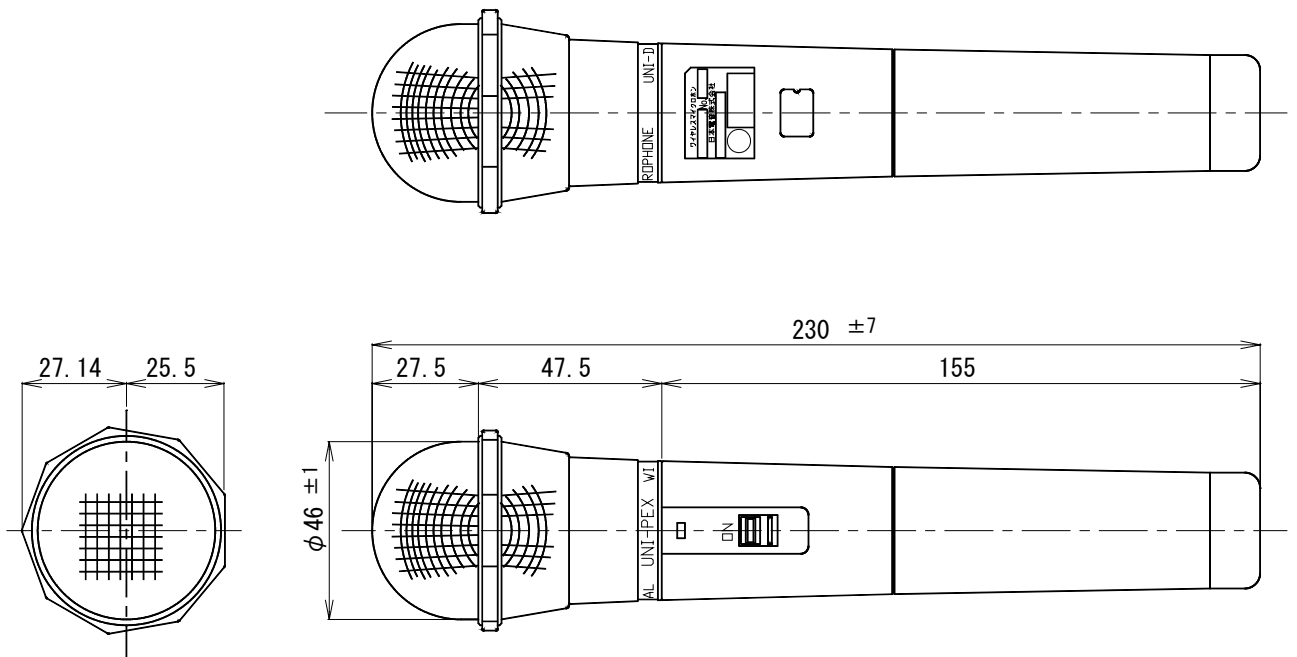
JH03

# Specification

**UNI-PEX**

No. 2

WIRELESS MICROPHONE  
WM-3000A



Unit: mm

BUSINESS

JH03

Subject to change for improvement without notice.

製造元 日本電音株式会社 販売元 ユニペックス株式会社