

Specification

UNI-PEX

No. 1

CLIP-ON TYPE WIRELESS MICROPHONE

WM-8100A

TRANSMIT FREQUENCY	806.125MHz~809.750MHz (30 channels at 125kHz intervals)
RADIO WAVE STYLE	110KF3E
OSCILLATION STYLE	Oscillation control PLL synthesizer
MODULATION STYLE	Reactance modulation
TRANSMIT BANDWIDTH	110kHz or less
FREQUENCY STABILITY	±20ppm or less
TRANSMIT OUTPUT	2mW/6mW (Selectable)
ANTENNA	Built-in antenna
MODULATION SENSITIVITY	±5.00kHzFM (92dBSPL, at 1kHz)
MAXIMUM FREQUENCY SHIFT	±40.0kHzFM
MICROPHONE	Unidirectional electret condenser microphone
FREQUENCY RESPONSE	100Hz~10kHz (1kHz basis, 50μs emphasis)
MAXIMUM INPUT SPL	116dBSPL (SENS1)
BATTERY	R6P (AA size battery) x 1
CURRENT CONSUMPTION	65mA (at normal temperature, 6mW, 1.5V) 45mA (at normal temperature, 2mW, 1.5V)
BATTERY LIFE	R6P battery: Approx. 10 hours (at normal temperature, 6mW) Approx. 14 hours (at normal temperature, 2mW) R6PU battery: Approx. 14 hours (at normal temperature, 6mW) Approx. 18 hours (at normal temperature, 2mW)
TEMPERATURE RANGE	0°C~+40°C
DIMENSIONS	Body: 66(W) x 106(L) x 22(D) mm Microphone: φ14 x 25.5(L) mm Cord: Approx. 800 mm
MASS	Approx. 120g (with battery)
FINISH	ABS resin: Stone silver (Munsell N4.5 approx.)
ACCESSORY	Microphone holder x 1, Microphone clip x 1, Wind screen x 1, Channel setting driver x 1, Channel indication label x 1, R6P (AA size battery) x 1, Instruction manual x 1
APPLICABLE PRODUCTS	800MHz band wireless receiver

BUSINESS

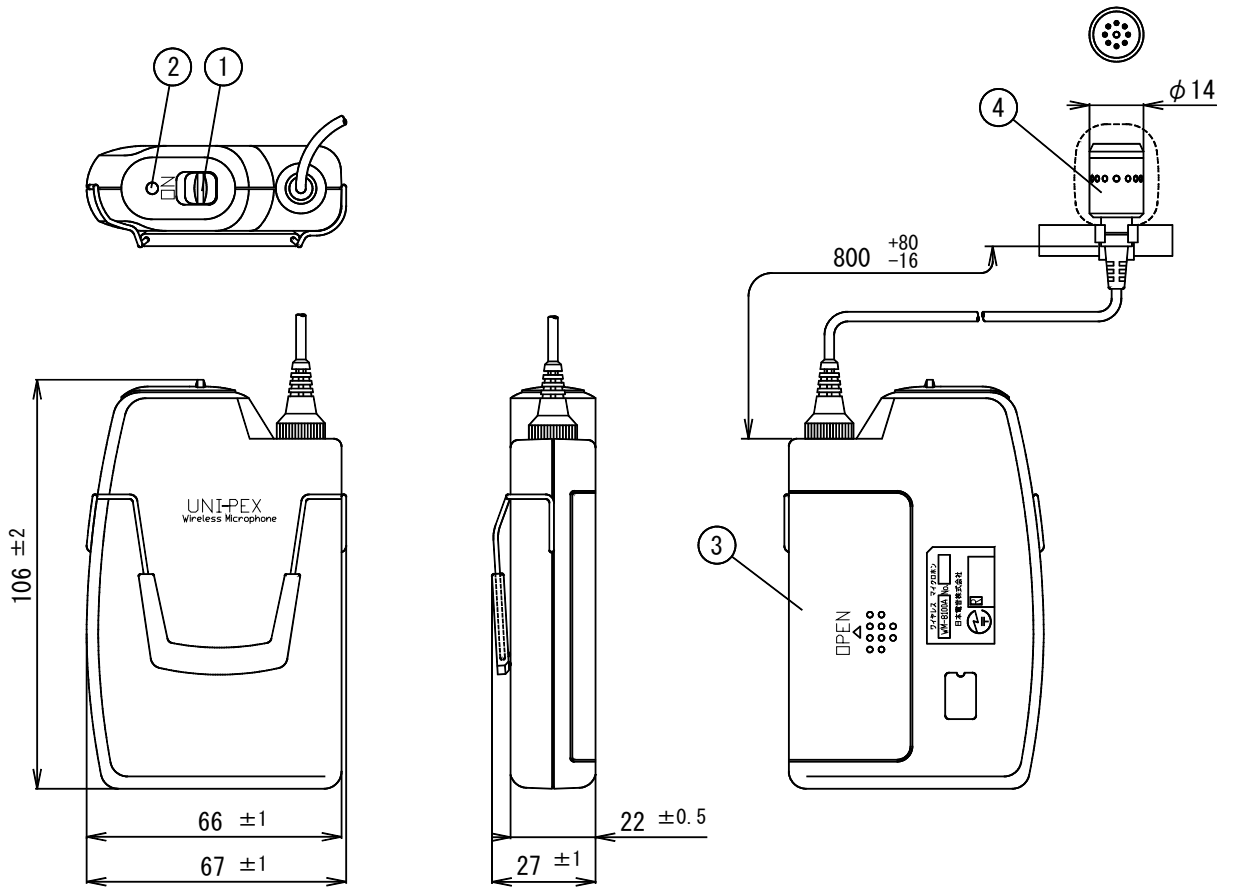
JH03

Specification

UNI-PEX

No. 2

ツーピース型ワイヤレスマイク
WM-8100A



番号	名称
1	電源スイッチ
2	電源表示
3	電池蓋
4	タイピンマイク

単位mm

営業

JH03

Subject to change for improvement without notice.

製造元 日本電音株式会社 販売元 ユニペックス株式会社