

Specification

UNI-PEX

No.1

WIRELESS MICROPHONE

WM-8240

| | |
|------------------------|--|
| TRANSMIT FREQUENCY | 806.125MHz~809.750MHz (30 channels at 125kHz intervals) |
| RADIO WAVE STYLE | 110KF3E |
| OSCILLATION STYLE | Oscillation control PLL synthesizer |
| MODULATION STYLE | Reactance modulation |
| TRANSMIT OUTPUT | 2mW |
| MODULATION SENSITIVITY | ±5kHzFM (pad 0dB 92dBSPL at 1kHz) |
| MICROPHONE | Unidirectional dynamic microphone |
| FREQUENCY RESPONSE | 100Hz~10kHz (at 1kHz basis, 50μs emphasis) |
| MAXIMUM INPUT SPL | 140dBSPL (Pad -12dB) |
| INPUT EQUIVALENT NOISE | 34dBSPL or less (A curve, pad 0dB) |
| BATTERY | R6P(AA size battery) x 1pce |
| CURRENT CONSUMPTION | Approx. 60mA (at 1.5V) |
| BATTERY LIFE | Approx. 10 hours (at normal temperature) |
| ANTENNA | Built-in antenna |
| TEMPERATURE RANGE | 0°C~+40°C |
| FINISH | (PC/PBT resin): Gun metallic (with Ultraviolet anti-bacterial coat, Munsell N2.5 approx.) |
| DIMENSIONS | φ59 x 245(L) mm |
| MASS | Approx. 250g (with battery) |
| ACCESSORY | R6P(AA size battery) x 1, Soft case x 1, Microphone holder x 1, Channel setting driver x 1, Channel indication label x 1 Instruction manual x 1 |
| APPLICABLE RECEIVER | 800MHz band wireless receiver |

BUSINESS

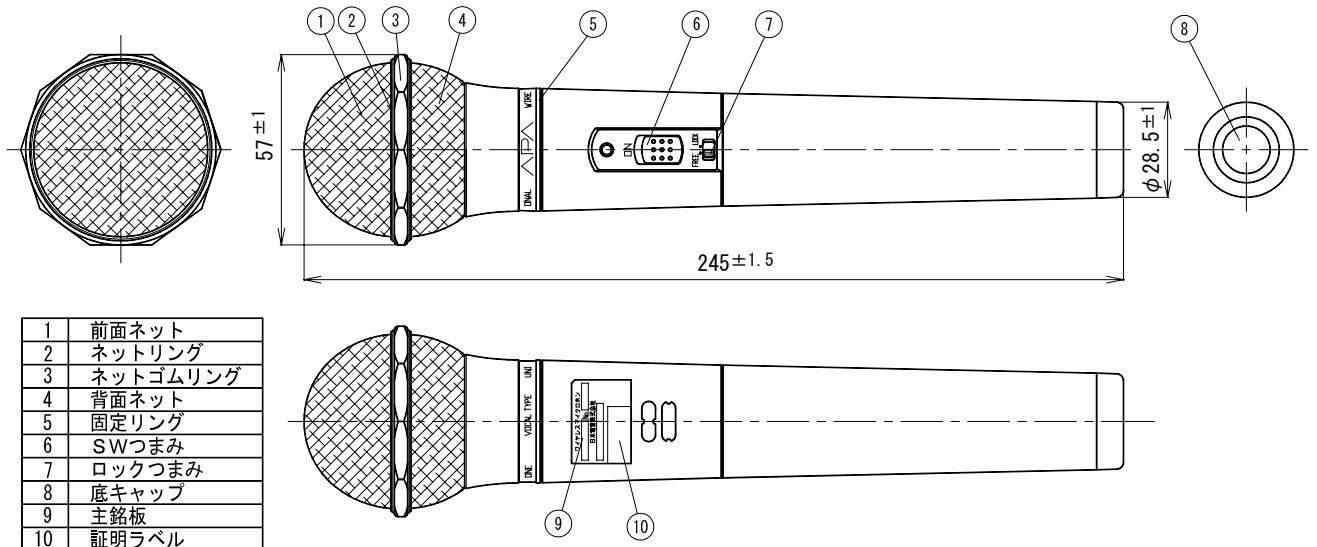
JD01

Specification

UNI-PEX

No. 2

WIRELESS MICROPHONE
WM-8240



| | |
|----|----------|
| 1 | 前面ネット |
| 2 | ネットリング |
| 3 | ネットゴムリング |
| 4 | 背面ネット |
| 5 | 固定リング |
| 6 | SWつまみ |
| 7 | ロックつまみ |
| 8 | 底キャップ |
| 9 | 主銘板 |
| 10 | 証明ラベル |

単位mm

BUSINESS