

# Specification

**UNI-PEX**

No. 1

## SPLASH-PROOF 800MHz WIRELESS MICROPHONE

### WM-8400

TRANSMIT FREQUENCY	806.125MHz~809.750MHz (30 channels at 125kHz intervals)
RADIO WAVE STYLE	110KF3E
OSCILLATION STYLE	Oscillation control PLL synthesizer
MODULATION STYLE	Reactance modulation
TRANSMIT BANDWIDTH	110kHz or less
FREQUENCY STABILITY	±20ppm or less
TRANSMIT OUTPUT	2mW/6mW (Selectable)
ANTENNA	Built-in antenna
MODULATION SENSITIVITY	±5.00kHzFM (92dBSPL, at 1kHz)
MAXIMUM FREQUENCY SHIFT	±40.0kHzFM
MICROPHONE	Unidirectional electret condenser microphone
FREQUENCY RESPONSE	100Hz~10kHz (1kHz basis, 50μs emphasis)
MAXIMUM INPUT SPL	126dBSPL
INPUT EQUIVALENT NOISE	36dBSPL or less (A curve)
BATTERY	R6P or R6PU (AA size battery) x 1
CURRENT CONSUMPTION	65mA (at 6mW output, normal temperature, 1.5V) 45mA (at 2mW output, normal temperature, 1.5V)
BATTERY LIFE	R6P battery:   Approx. 10 hours (at normal temperature, 6mW) Approx. 14 hours (at normal temperature, 2mW) R6PU battery:  Approx. 14 hours (at normal temperature, 6mW) Approx. 18 hours (at normal temperature, 2mW)
TEMPERATURE RANGE	0°C~+40°C
FINISH	ABS resin: Stone silver (Munsell N4.5 approx.)
DIMENSIONS	φ54 × 231(L) mm
WATERPROOF PERFORMANCE	IP65
MASS	Approx. 180g (with battery)
ACCESSORY	Microphone holder (PF1/2, W3/8, W5/16 applicable) x1, Soft case x 1, Channel setting driver x 1, Channel indication label x 1, R6P (AA size battery) x 1, Instruction manual x 1

BUSINESS

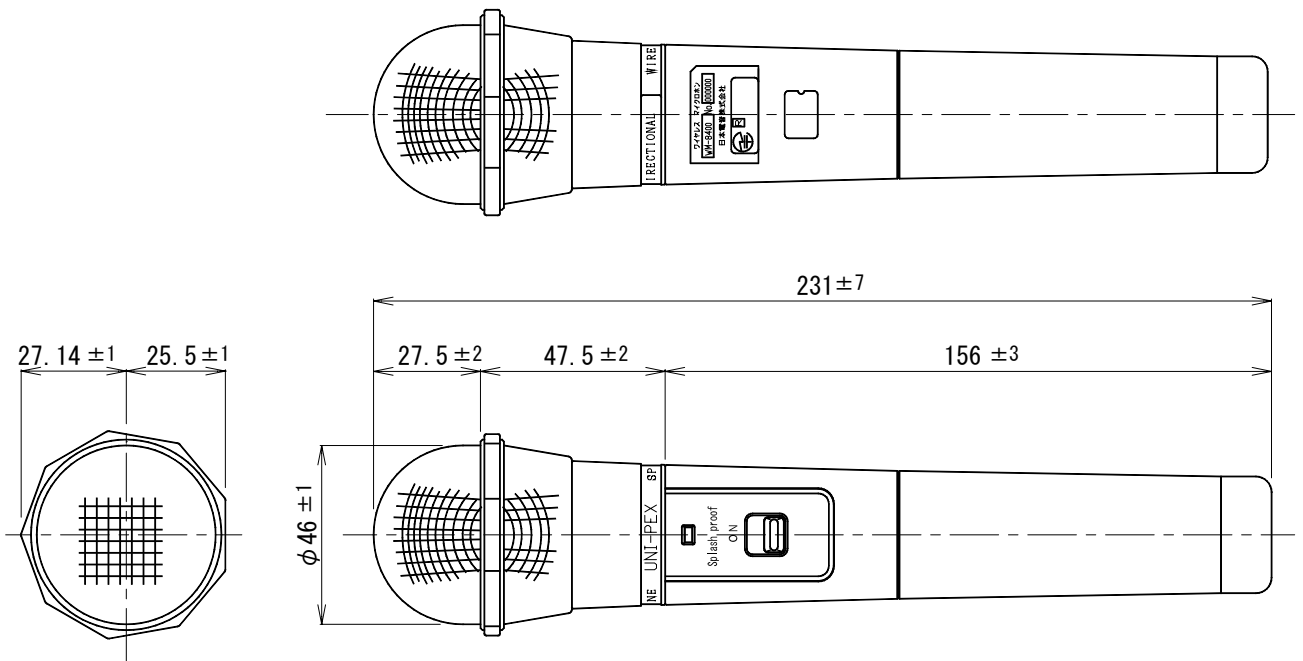
JH03

# Specification

**UNI-PEX**

No. 2

SPLASH-PROOF 800MHz WIRELESS MEGAPHONE  
WM-8400



Unit: mm

BUSINESS

JH03

Subject to change for improvement without notice.

製造元 日本電音株式会社 販売元 ユニペックス株式会社