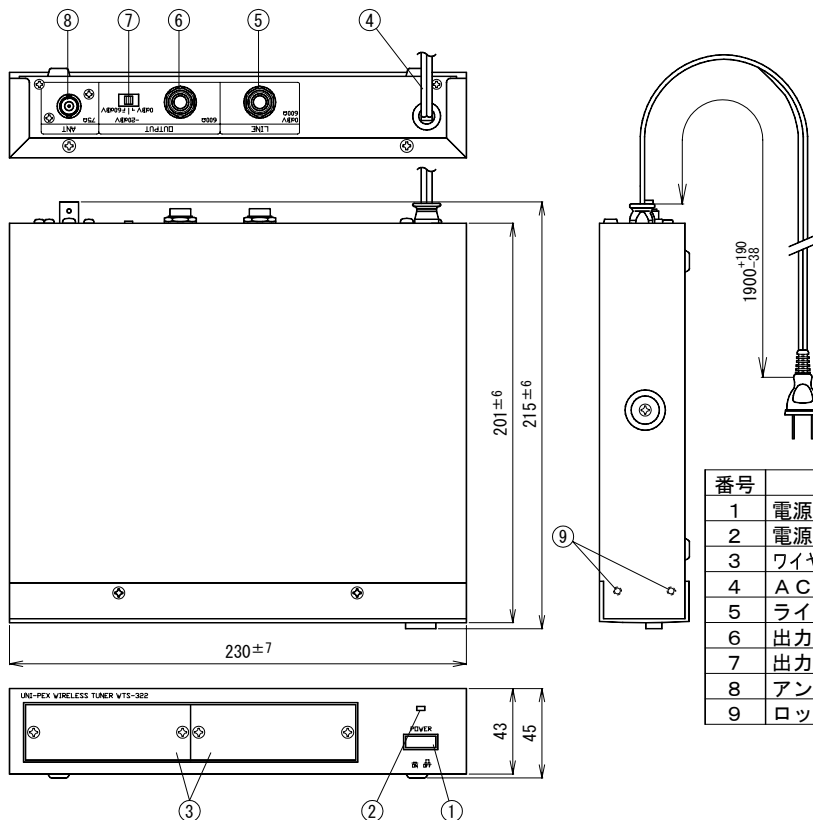


Specification

UNI-PEX

WIRELESS RECEIVER, SINGLE WTS-322

POWER SUPPLY	AC100V 50/60Hz
CURRENT CONSUMPTION	6W
ANTENNA INPUT	75Ω (BNC)、(Phantom power supply: 12V 20mA)
OUTPUT	0dBV/-20dBV/-60dBV 600Ω Unbalanced
LINE INPUT	(Selectable/ Balanced transformer LT-16 installable)
DISTORTION	0dBV 600Ω Unbalanced
FREQUENCY RESPONSE	0.5%
TEMPERATURE RANGE	50Hz~15kHz ±3dB
FINISH	0°C~+40°C
	Panel (Aluminum): Black (Munsell N1 approx.)
DIMENSIONS	Case (Vinyl-laminated steel): Black (Munsell N1 approx.)
MASS	230(W) x 45(H) x 215(D) mm
ACCESSORY	Approx. 1.4kg
APPLICABLE MICROPHONE	Phone plug with cord (1m) x 1, Instruction manual x 1
APPLICABLE PRODUCT	300MHz band wireless microphone Single wireless tuner unit SU-3000A Balanced transformer LT-16 Wireless antenna AA-300



Unit: mm

BUSINESS

JD01

Subject to change for improvement without notice.

製造元 日本電音株式会社 販売元 ユニペックス株式会社